

FERRI®

www.ferri-america.com



ZME

Offset/in-line slope mowers

Specifically designed for compact tractors

ZME 125		18 to 30 HP		4'1"
ZME 155		25 to 40 HP		5'1"


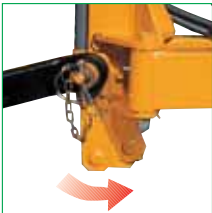

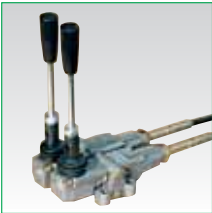


Offset/in-line slope mowers

Specifically designed for compact tractors



ZME is specifically designed for compact tractors; and is one-of-a-kind, it is ideally suited for tractors over 1555 lbs.

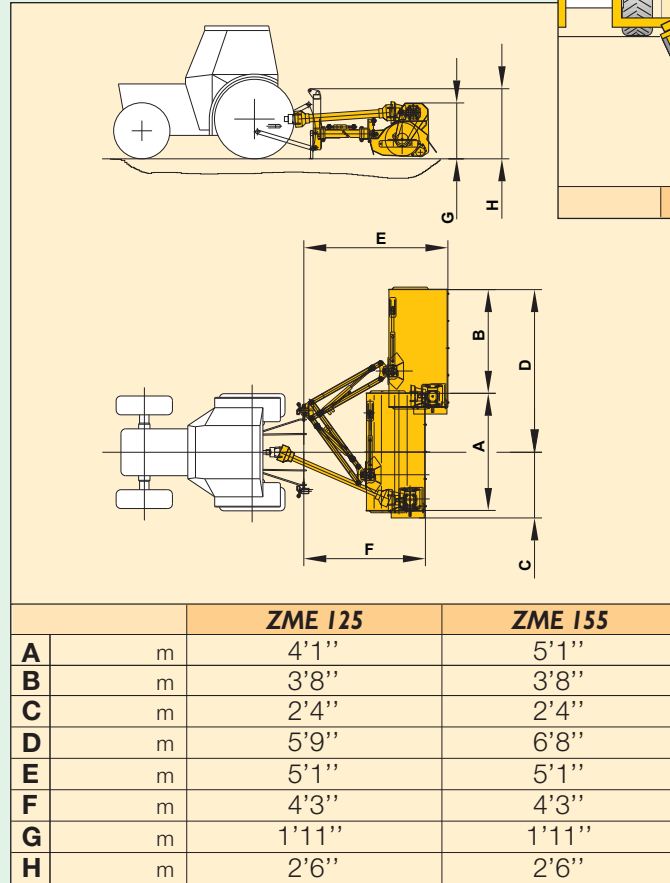
Equipment	ZME 125	ZME 150
Stiffening plate to stabilize unit	●	●
 Rotation joint on self lubricating bushing.	●	●
 Mechanical breakaway	●	●
Front and rear guard	●	●
Rear adjustable roller	●	●
 Rotor with internal bearings	●	●
PTO shaft with overrun clutch	●	●
 Cable controls with floating head	□	□

● Standard □ Optional


Tractors (recommended features)	Min. weight	Min. width
HP Tractor	10 20 30 40	
ZME 125	1555*	3' 7"
ZME 155	2000*	3' 11"

* = verify possible need for ballast

Work positions



Technical specifications

Model	ZME125	ZME155
Width of cut	ft 4'1"	ft 5'1"
Flail head angle	+90°/-50°	+90°/-50°
Belts (SPAX type)	No. 3	3
Blade tip speed	ft/sec 147'	147'
Weight	lbs 510	575
Three point linkage	Cat. I	I
PTO speed	RPM 540	540
 Articulated "Y" flails max cut 1"	No. 56	72

All data subject to change. Campbell 6348 ZME227A REV/05 09/08



FERRI srl Via C. Govoni, 30 - 44034 Tamara (FE) Italy
Tel. 011-39-0532.866866 - Fax 011-39-0532.866851 - www.ferrisrl.it - info@ferrisrl.it

Customer Service / FERRI:

John Fisher
PO Box 127
Lake Oswego, OR 97034 USA
Phone 503.675.1070
Fax 503.699.4170
ferri.america@comcast.net
www.ferri-america.com